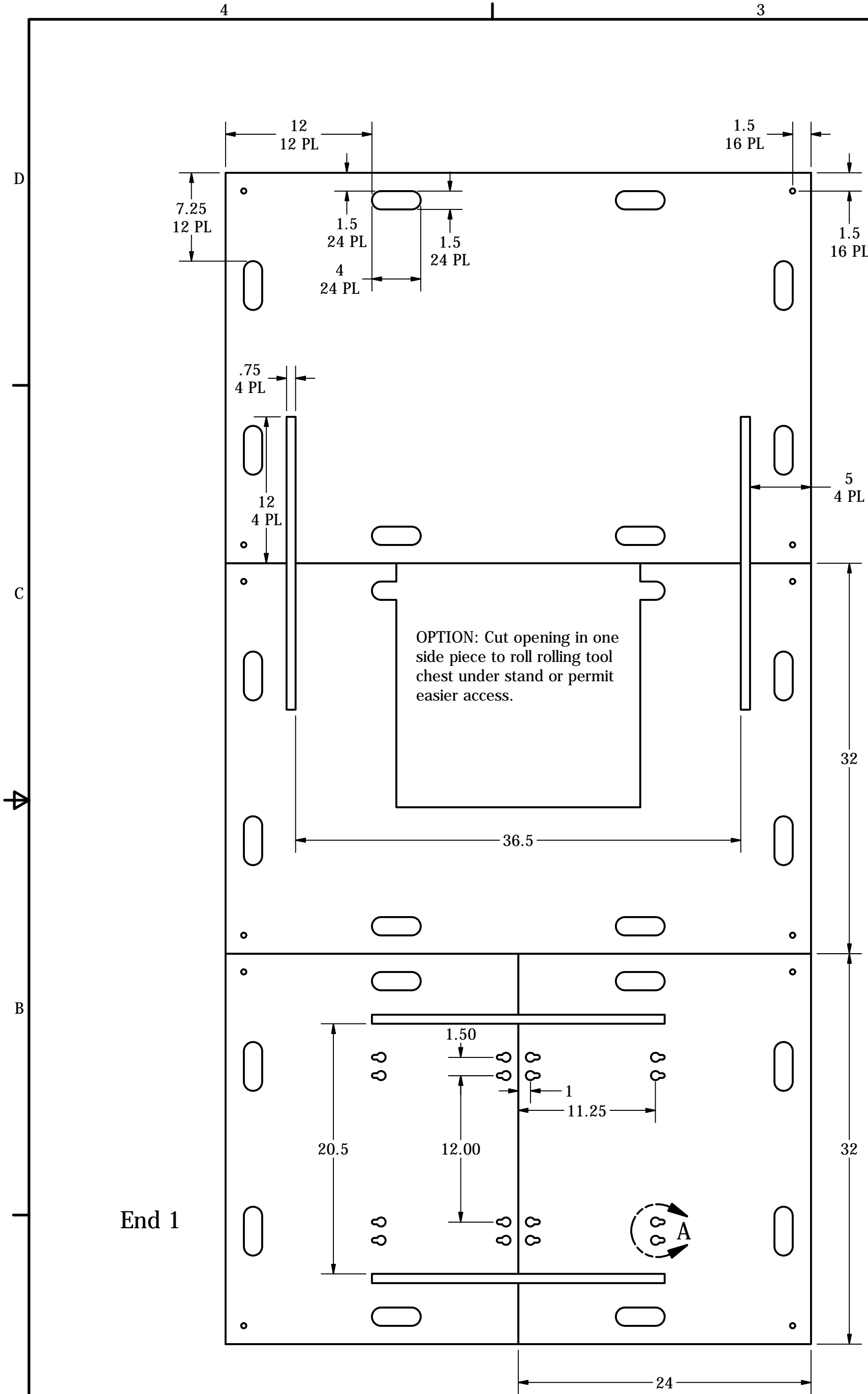


PRODUCED BY AN AUTODESK EDUCATIONAL PRODUCT

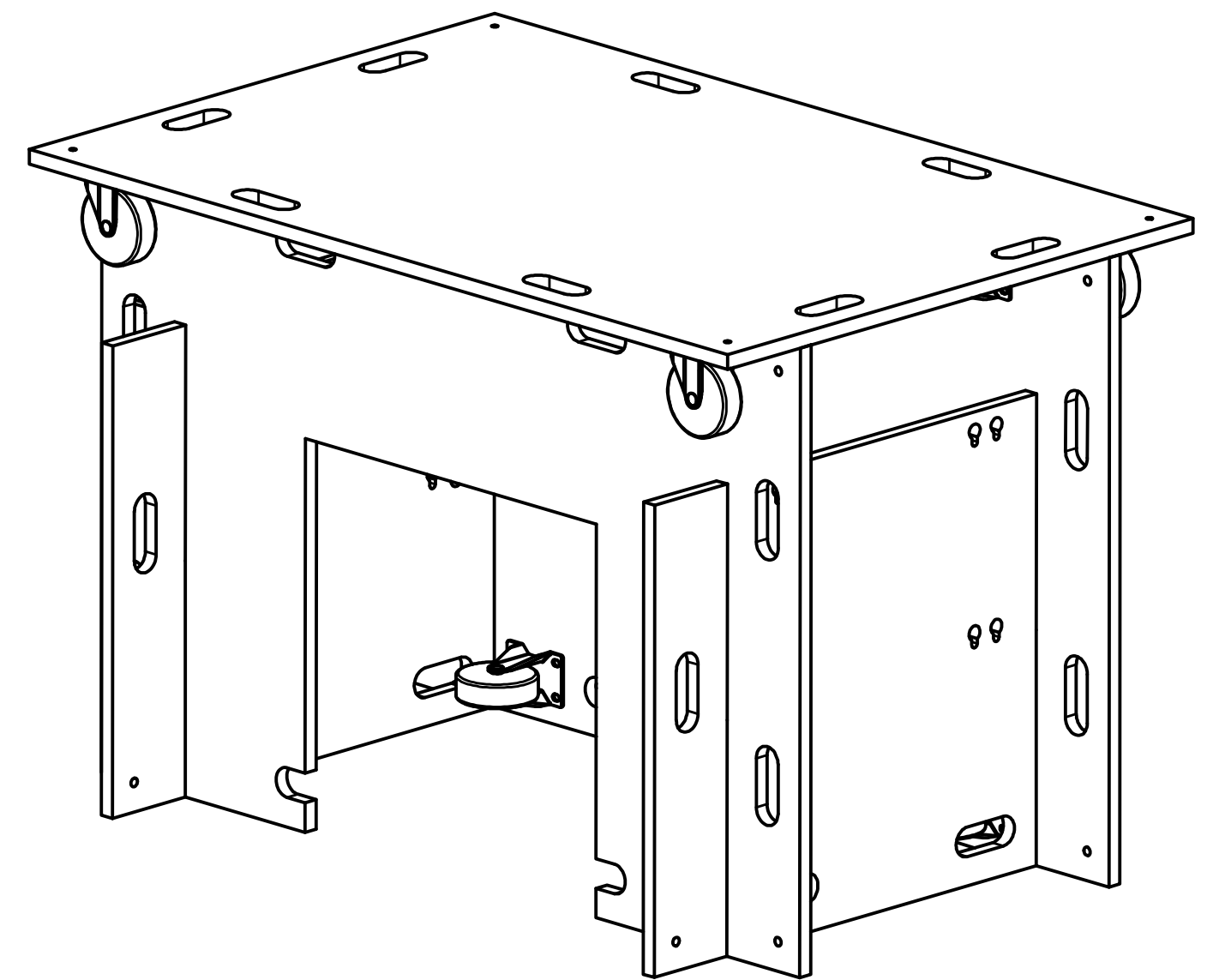
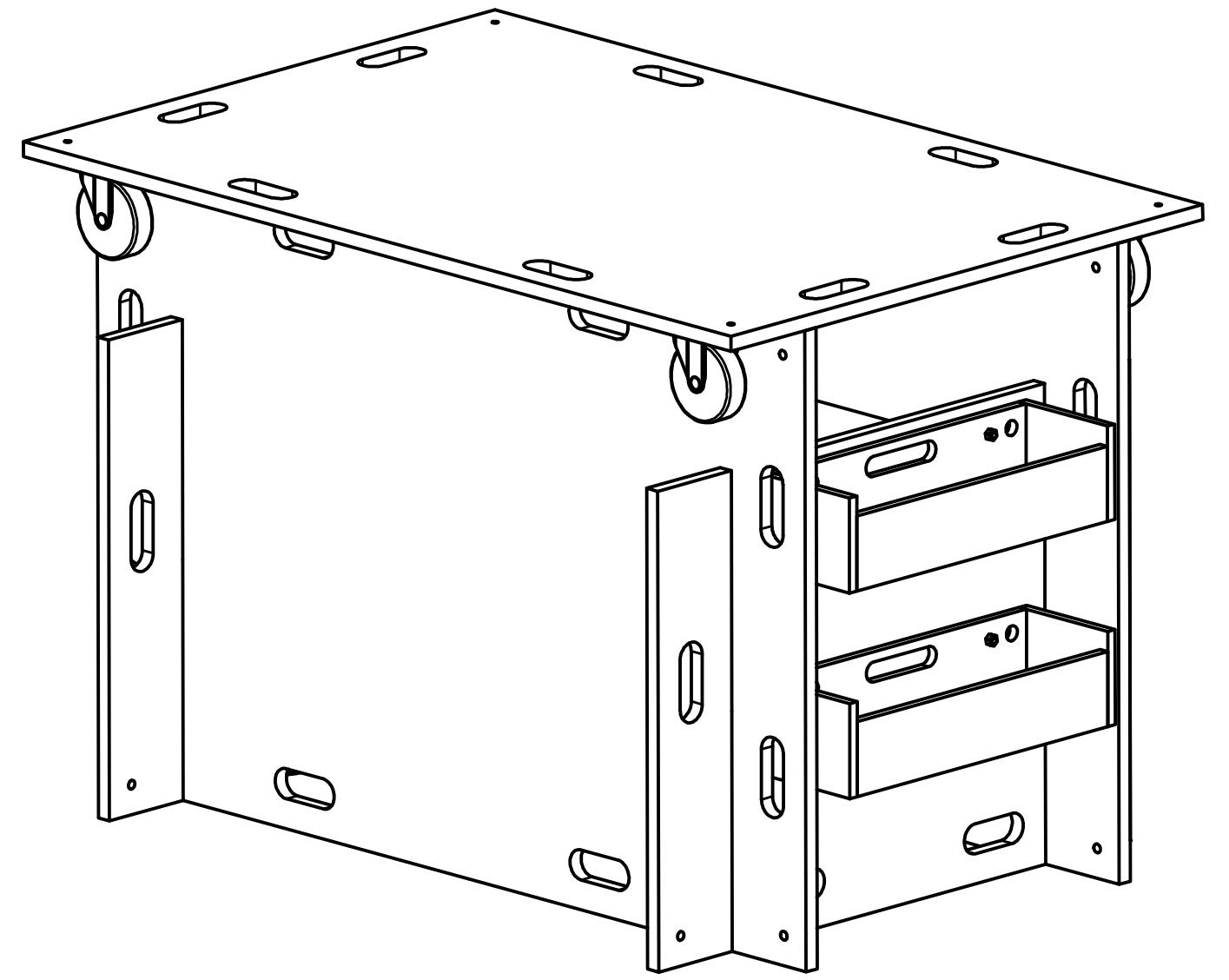
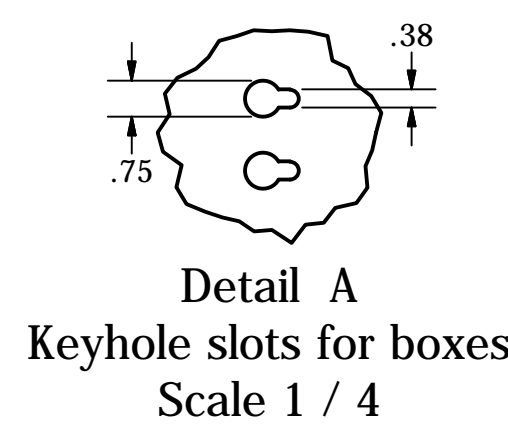
PRODUCED BY AN AUTODESK EDUCATIONAL PRODUCT



Side 1

Side 2

End 2



|                |           |                             |                               |     |
|----------------|-----------|-----------------------------|-------------------------------|-----|
| DRAWN<br>Kevin | 3/16/2015 | TITLE<br><br>Cart and Stand |                               |     |
| CHECKED        |           |                             |                               |     |
| QA             |           | SIZE<br>C                   | DWG NO<br>Courtesy of Team 21 | REV |
| MFG            |           | SCALE                       | SHEET 1 OF 3                  |     |
| APPROVED       |           |                             |                               |     |

4

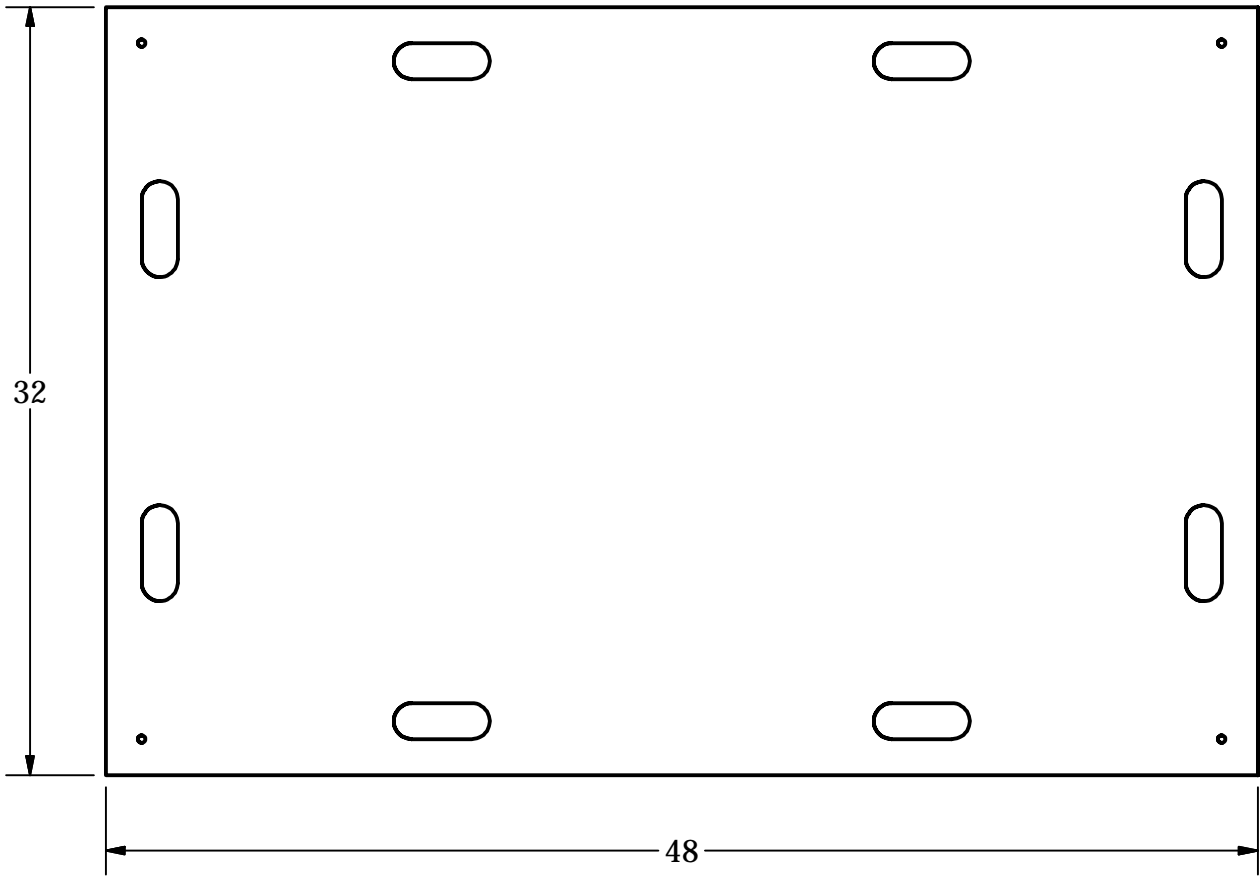
3

2

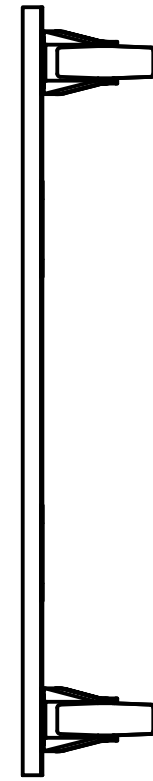
1

D

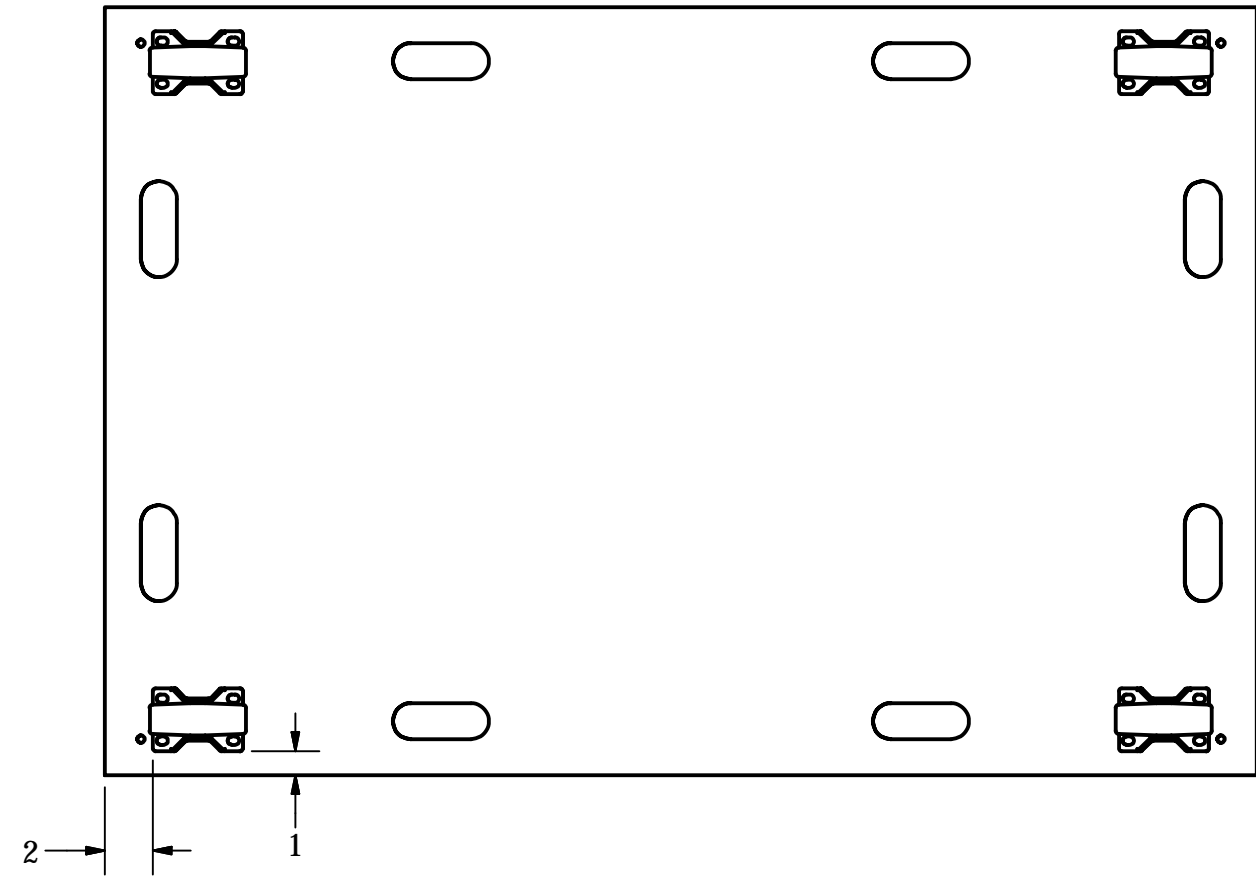
D



Handhold pattern same as Side 1 as shown on Sheet 1



Cart, 3/4" plywood



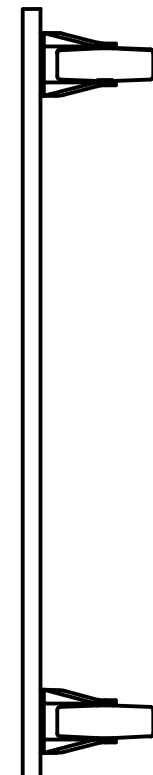
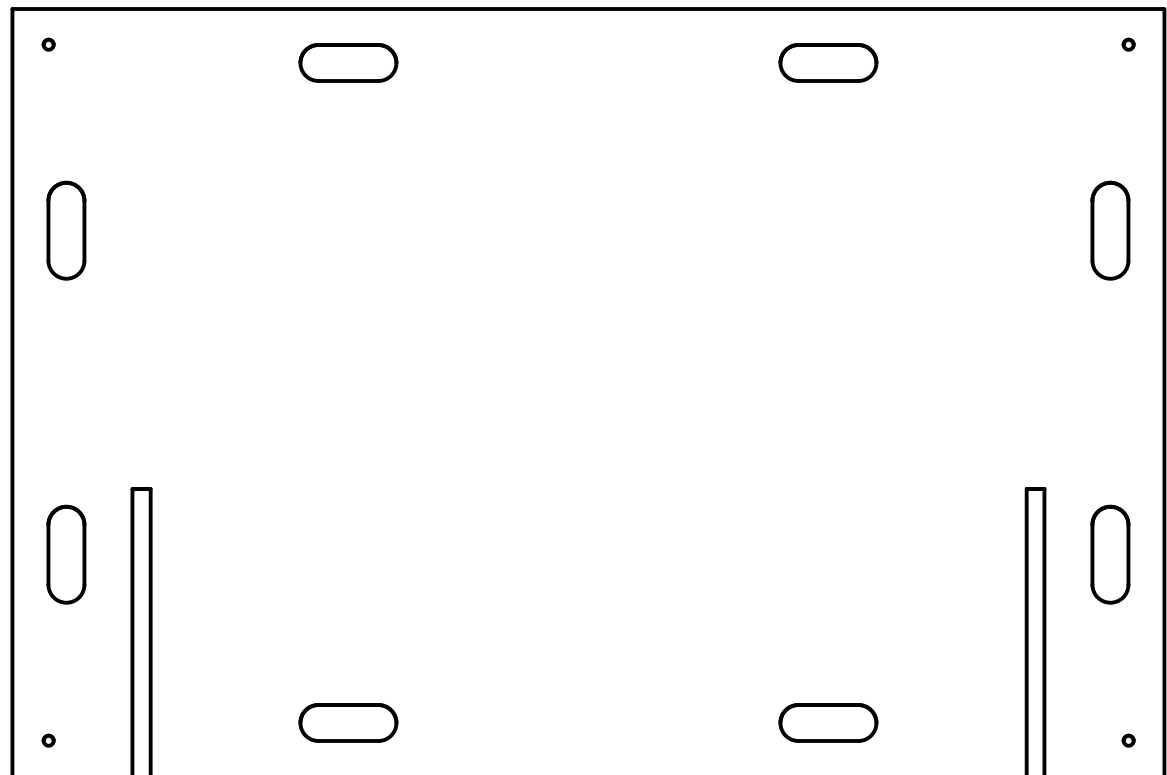
Recommend minimum 4" wheels. On both Cart and Side 1, substitute 2 swivel wheels for better control or 4 swivel wheels for better maneuverability. Add 2 D-rings to same side as wheels to attach pull rope.

C

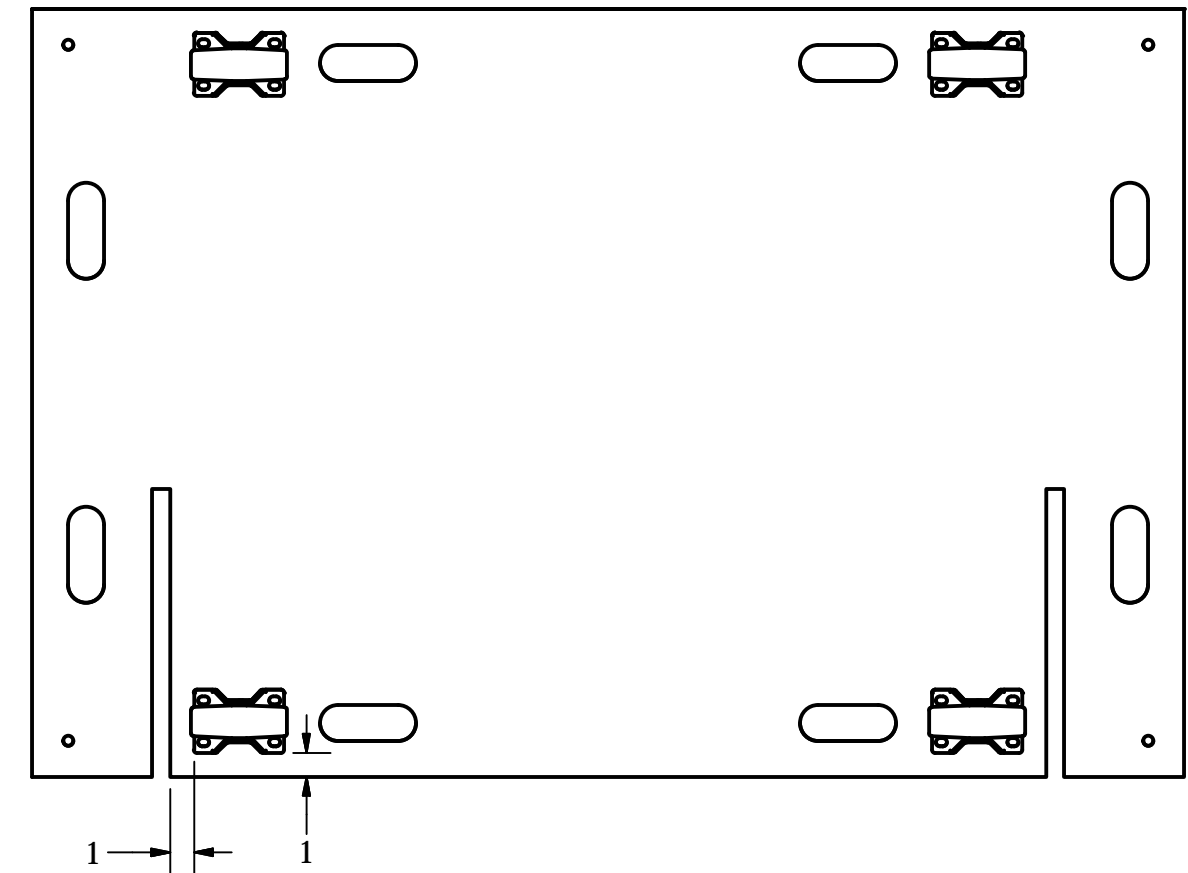
C

B

B



Side 1



A

A

|                |           |                             |                               |     |
|----------------|-----------|-----------------------------|-------------------------------|-----|
| DRAWN<br>Kevin | 3/16/2015 | TITLE<br><br>Cart and Stand |                               |     |
| CHECKED        |           |                             |                               |     |
| QA             |           |                             |                               |     |
| MFG            |           |                             |                               |     |
| APPROVED       |           | SIZE<br>C                   | DWG NO<br>Courtesy of Team 21 | REV |
|                |           | SCALE                       | SHEET 2 OF 3                  |     |

4

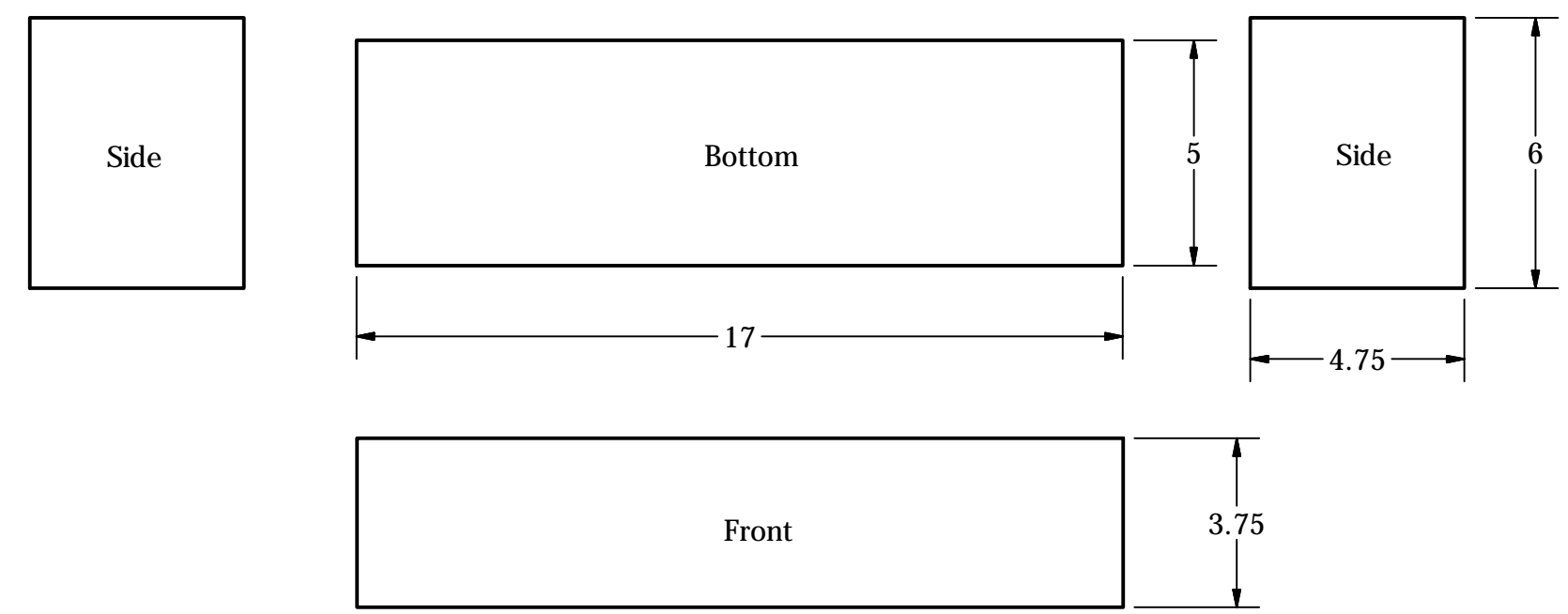
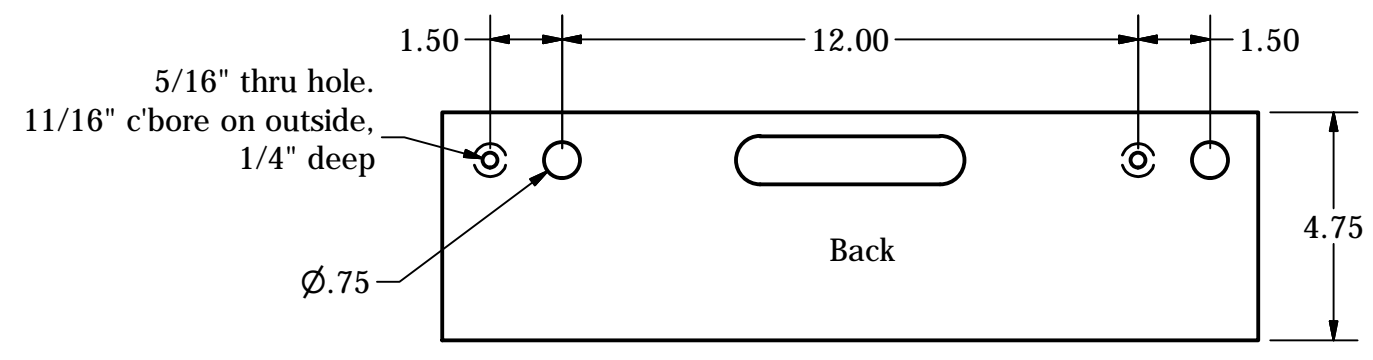
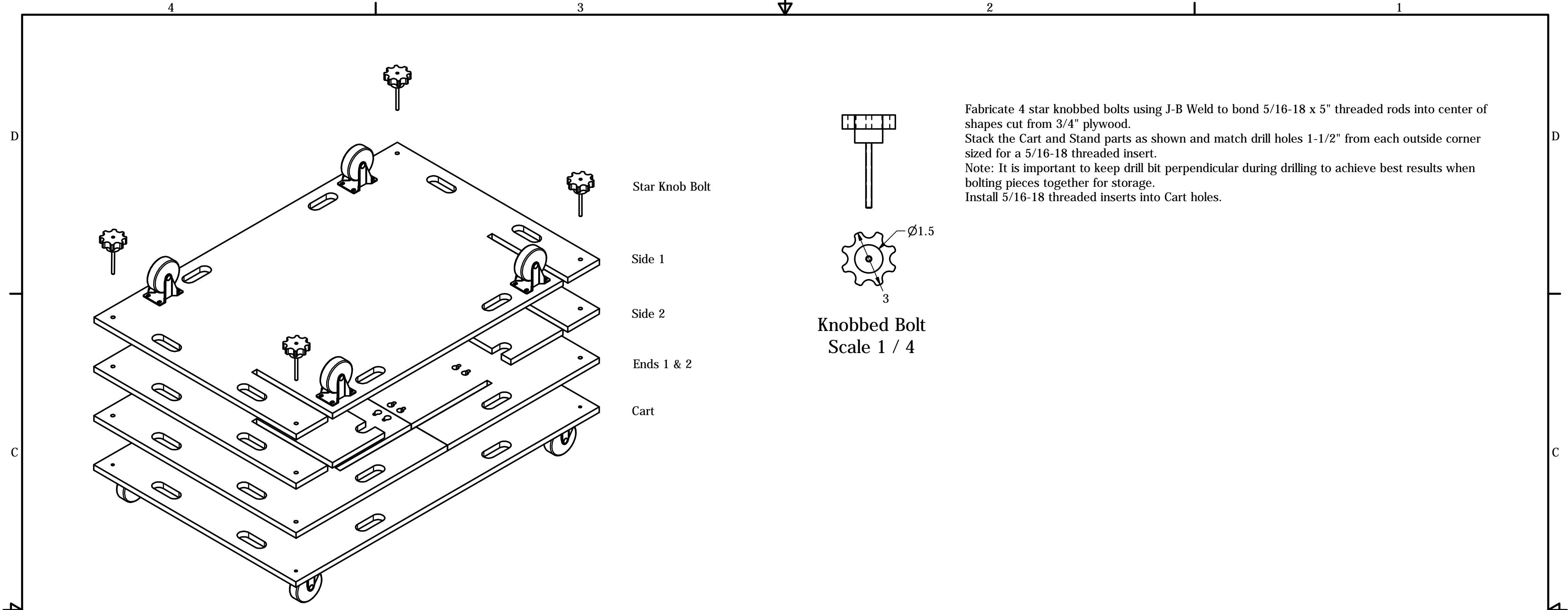
3

2

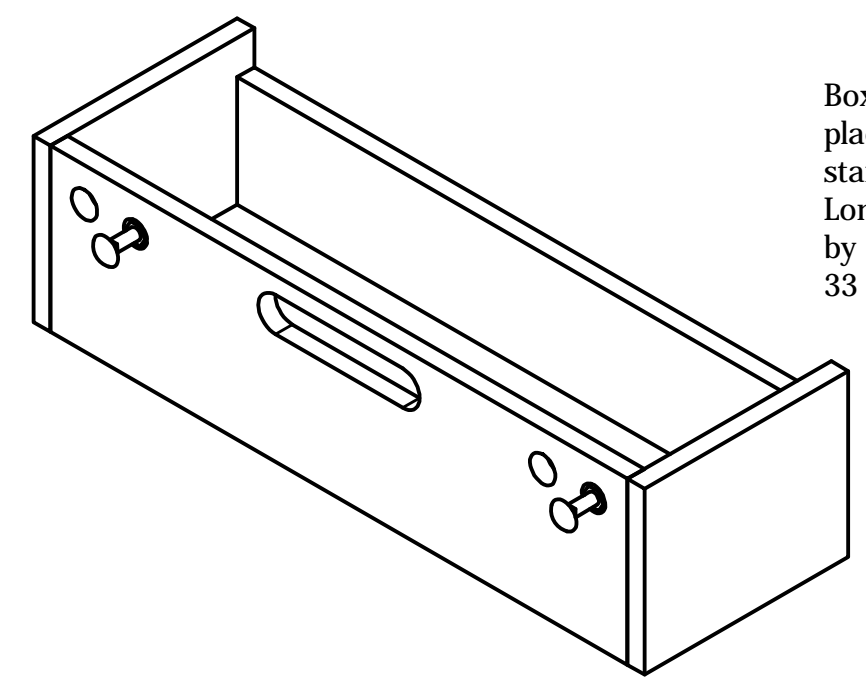
1

PRODUCED BY AN AUTODESK EDUCATIONAL PRODUCT

PRODUCED BY AN AUTODESK EDUCATIONAL PRODUCT



Small Box  
1/2" Plywood  
Scale 1 / 4



Box holes and 5/16-18 x 1-5/8" carriage bolt and nuts placement allow boxes to hang either on inside or outside of stand and to interlock back-to-back during transport. Longer boxes can also be made to fit on the side of the stand by increasing the length of the back, bottom and front up to 33 inches.

|                |           |                             |                               |     |
|----------------|-----------|-----------------------------|-------------------------------|-----|
| DRAWN<br>Kevin | 3/16/2015 | TITLE<br><br>Cart and Stand |                               |     |
| CHECKED        |           |                             |                               |     |
| QA             |           |                             |                               |     |
| MFG            |           |                             |                               |     |
| APPROVED       |           | SIZE<br>C                   | DWG NO<br>Courtesy of Team 21 | REV |
|                |           | SCALE                       | SHEET 3 OF 3                  |     |

PRODUCED BY AN AUTODESK EDUCATIONAL PRODUCT

PRODUCED BY AN AUTODESK EDUCATIONAL PRODUCT